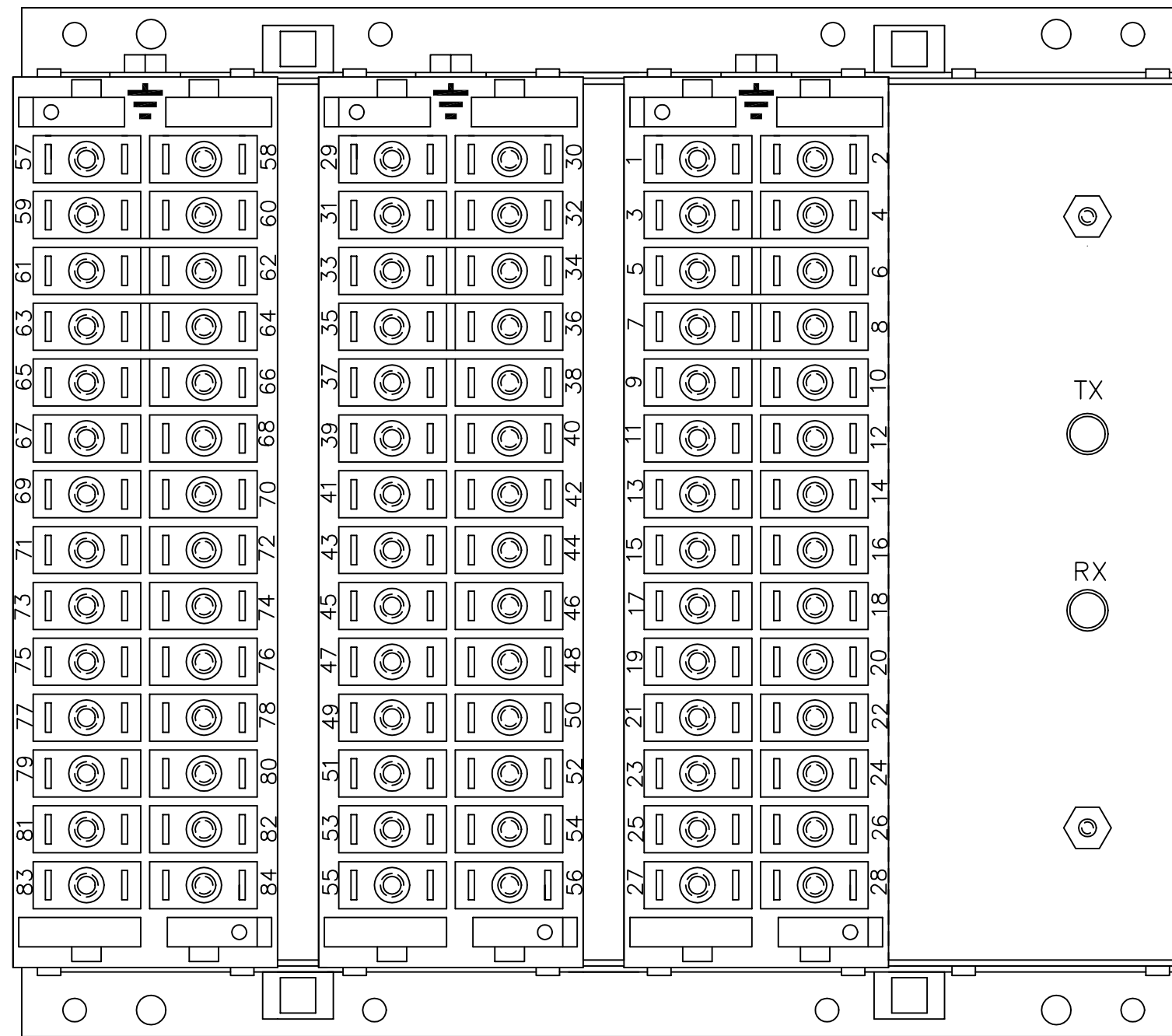


IF IN DOUBT ASK
DO NOT SCALE

BOX VIEWED FROM REAR

PROTECTION TYPE	SCHEMATIC DIAGRAM
3 PHASE (DIR)	2434W10021 (A3)
2 PHASE (DIR)+SEF	2434W10022 (A3)
2 PHASE(DIR)+EARTH(DIR)	2434W10023 (A3)
2 PHASE(DIR)+EARTH	
3 PHASE(DIR)+EARTH(DIR)	2434W10025 (A3)
3 PHASE(DIR)+EARTH	
3 PHASE(DIR)+SEF	2434W10026 (A3)
2 PHASE(DIR)+C.P (DIR)EARTH	2434W10028 (A3)
3 PHASE(DIR)+C.P (DIR) EARTH	



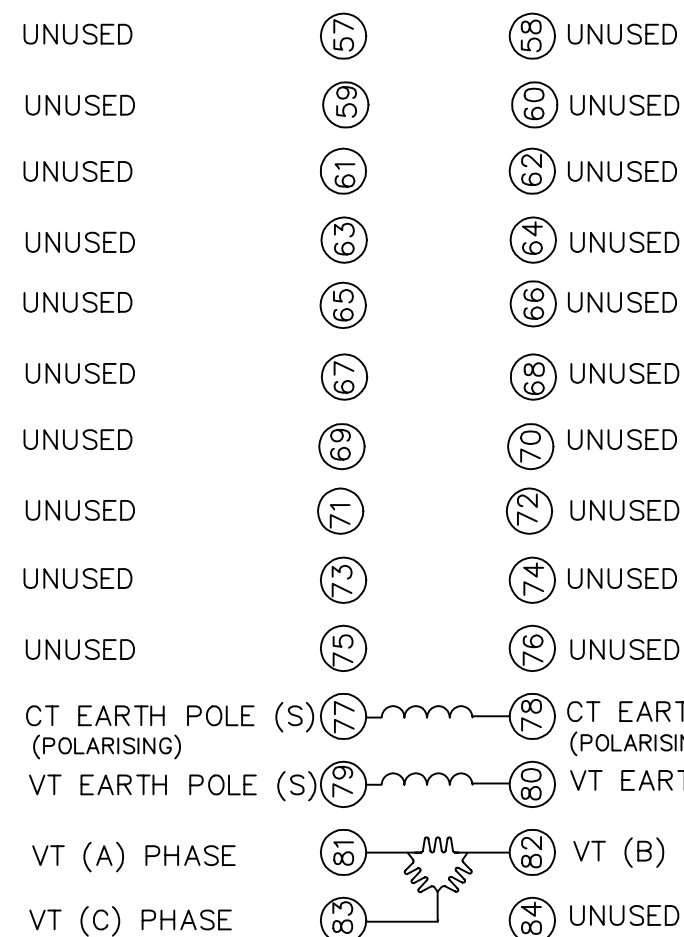
NOTES

- 1 FOR R8 BOX ASSY SEE 2434H10006 (A1)
- 2 TERMINALS RECOMMENDED ARE PRE INSULATED & MUST BE CRIMPED USING APPROVED TOOLING. AMP PIDG OR PLASTI GRIP FUNNEL ENTRY (RING TONGUE) FOR M4 FIXING STUD.
- 3 FOR OUTLINE & DRILLING DRG SEE 2434X10001 (A4).
- 4 PROTECTIVE CAPS TAKEN FROM FIBRE OPTIC CONNECTORS MAY BE RETAINED ON COMMS INTERFACE FIXING NUTS.
- 5 CT OR VT POLARISATION IS AVAILABLE (FOR CLARITY DRG SHOWS BOTH VT & CT TERMINATIONS)

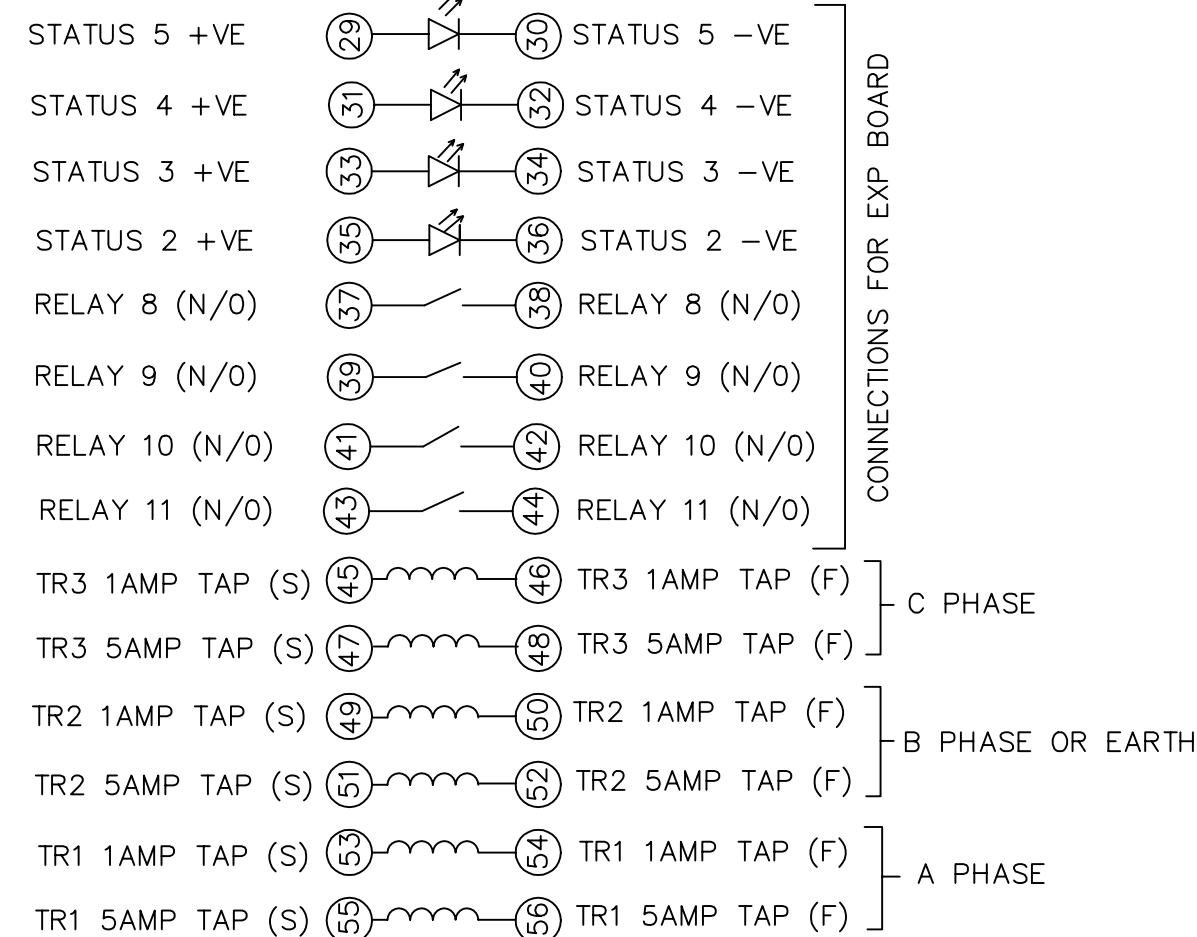
SUPPLIER	AMP	CABLE SIZE
AMP	342103	0.25-1.6 SQ MM
AMP	342143	1.0-2.6 SQ MM.

OR ANY OTHER MANUFACTURERS EQUIVALENT TERMINAL.

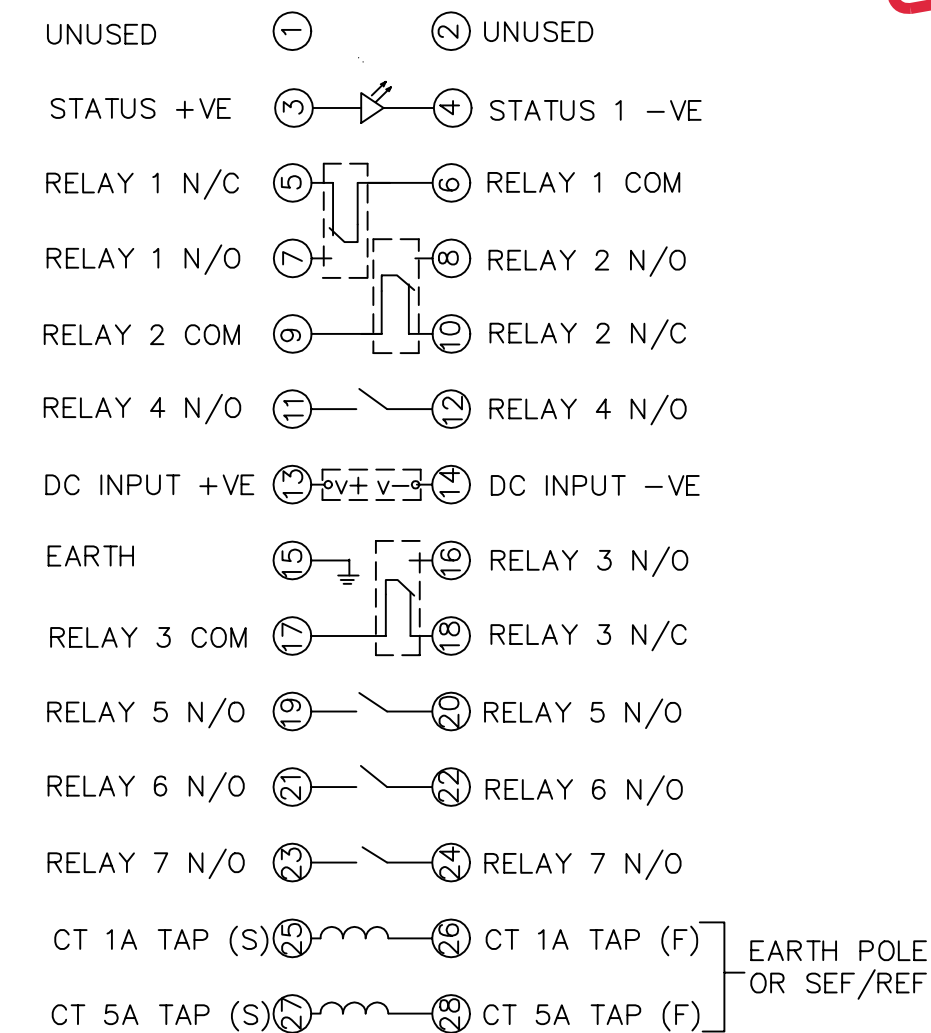
NOT SUBJECT TO UPDATE
ONCE COPIED / PRINTED
OR DOWNLOADED



SEE NOTE 5



CONNECTIONS FOR EXP BOARD



MATERIAL:

Dimensions in millimetres ; Surface texture in micrometres.
Machine where marked ✓
For explanation of dimensions, tolerances, notes etc. see B.S.308.
Limit on untoleranced unmachined dimensions ± _____
Limits on untoleranced machined dimensions to B.S.4500;
i.e. up to 6±0.1; over 30 to 120±0.3; over 315±0.8;
over 6 to 30±0.2; over 120 to 315±0.5;
General unmachined angular tolerance ± _____

Finish: _____
Treatment: _____

Title:
TERMINAL IDENTIFICATION & RELAY WIRING DIAGRAM
4 POLE DIRECTIONAL DCD RELAY (R8 CASE)

**Reyrolle Protection
Hebburn.**

Original Scale:
1:1

First used on:
Similar Articles: 2434W20001
Supersedes:

Drg. No.
2434W20003

Copyright © Reyrolle Ltd.

ISSUE	DATE	CHANGE
3	17/6/97	MN434/90
2	28/4/97	MN434/81
1	30/8/96	CHANGE